

# PRODUCT REFERENCE SHEET

©2021

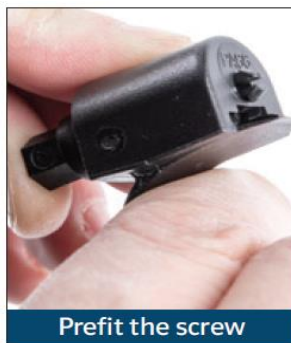
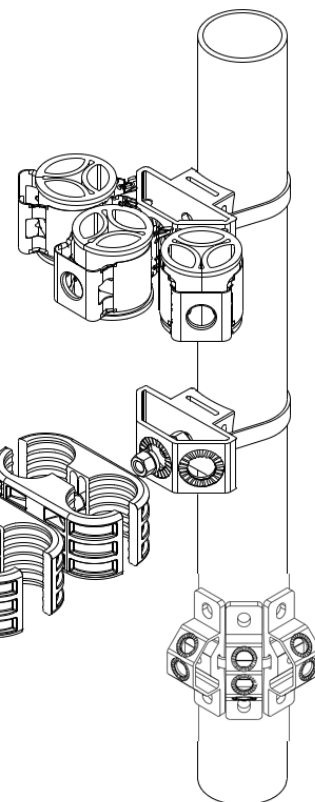
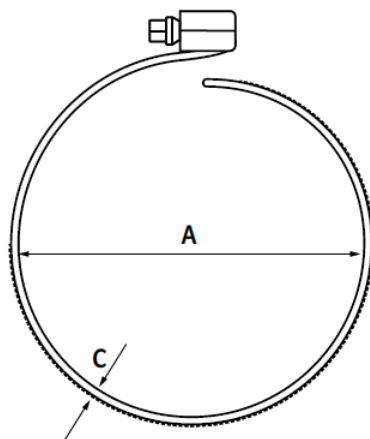
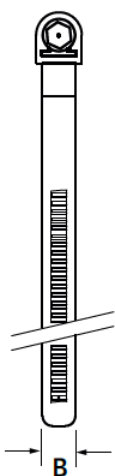
## Round Member Adapter Plastic for Hanger Applications

1789 PR A

### PRODUCT DESCRIPTION

Round Member Adapters (Ezyclamps™) are a quick and easy non-conductive, non-corrosive install method for supporting transmission lines to small diameter pipes or poles. Round member adapters also provide effective solution to mitigate passive intermodulation around 15 feet of high-risk PIM zones. Clamps are made from highly versatile and weather resistant Nylon 66 material to last longer. Round Member Adapter is 13mm (1/2") wide and available in 5 sizes covering a diameter range of 25mm (1") to 152mm (7"). Screw type is made from Nylon 66 which has superior strength and creep.

### TYPICAL APPLICATIONS



### SPECIFICATIONS

ROUND MEMBER ADAPTOR KITS (Table 1)					
Part #	Min diameter	Max Diameter	Width	Thickness	Max Torque
RM-A100P	1" (25.4mm)	2" (50.8mm)	0.5" (12.7mm)	0.13" (3.25mm)	1.48 ft-lb (2 Nm)
RM-A200P	1" (25.4mm)	3" (76.2mm)			
RM-A300P	1" (25.4mm)	4" (101.6mm)			
RM-A400P	2" (50.8mm)	5" (127mm)			
RM-A500P	3" (76.2mm)	6" (152.4mm)			