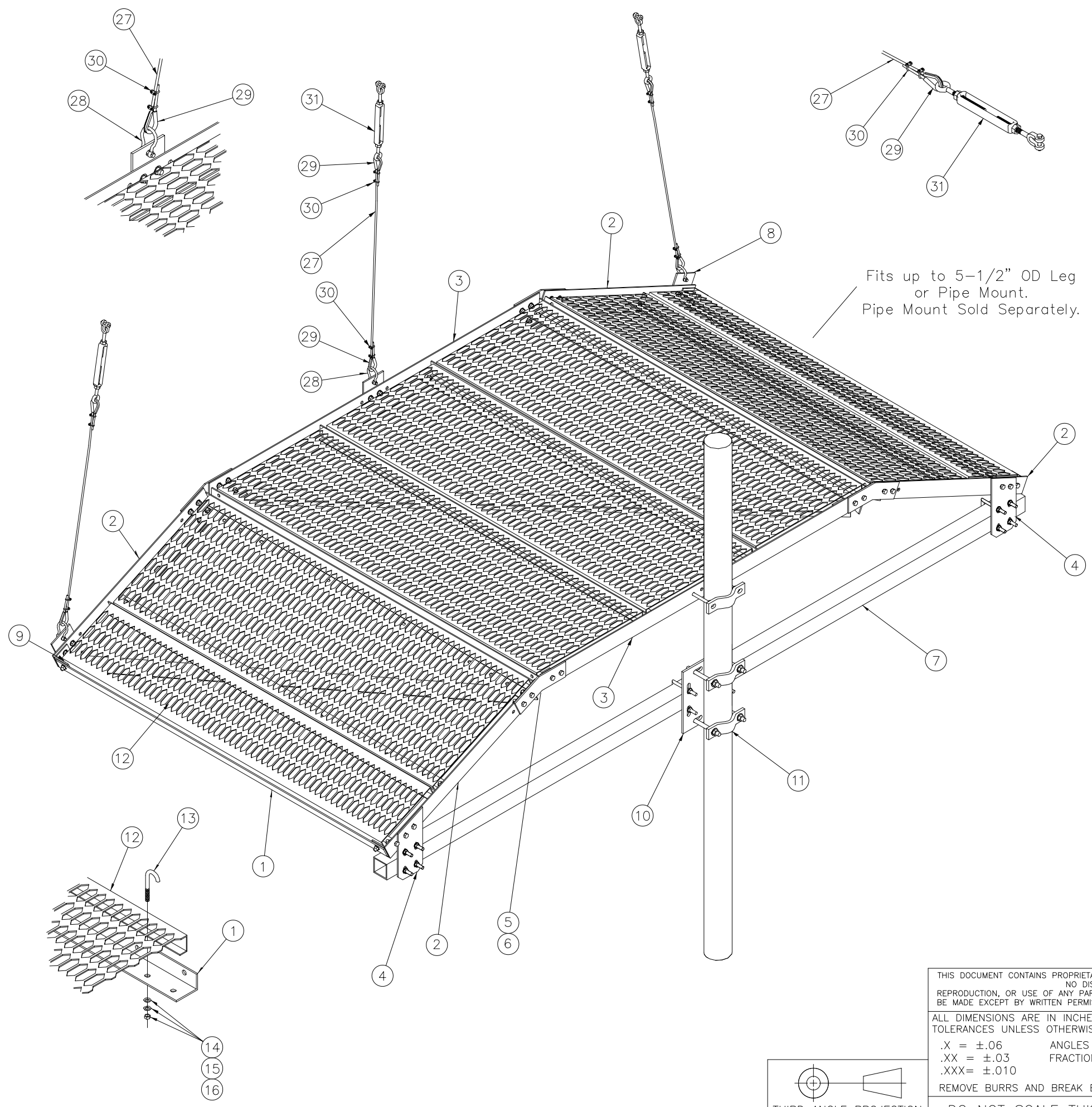


REVISIONS				
REV.	ECO	DESCRIPTION	BY	DATE
A	MTW	INITIAL RELEASE	ACG	10/17/11



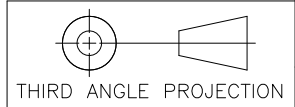
ITEM	PART NUMBER	DESCRIPTION	QTY
1		Angle, Gripstrut, 74" Long	10
2		Angle, Incline, 37.5" Long	4
3		Angle, Horizontal, 74.5" Long	2
4		Plate, Tube Mount, 7 x 14" Plate	2
5		Plate, Bottom Angle Connector, 1/4" Plate	4
6		Plate, Side Angle Connector, 1/4" Plate	4
7		Sq Tube, 120" Long	1
8		Plate-Guy Wire, 4.5" Plate	3
9		Corner Clip Angle, 3 x 3	4
10		Cross Pipe Plate	1
11		Half Clamp, Medium	3
12		Grating, 24" x 2" x 72" Long	5
*		Grating, 12" x 2" x 72" Long	2
13		J-BOLT-3/8"	27
14		3/8" HEX NUT	27
15		3/8" LOCK WASHER	27
16		3/8" FLAT WASHER	27
17		1/2" Sq U-Bolt for 3" Sq Tube, Grade 5	6
18		Threaded Rod, 1/2" x 8", HDG	2
19		Bolt, 1/2" x 1-1/2" (A325) HH HDG	38
20		Nut, Hex, 1/2" HDG	54
21		Flat Washer, 1/2" HDG	54
22		Lock Washer, 1/2" HDG	54
23		Threaded Rod, 5/8" x 8", HDG	4
24		Nut, Hex, 5/8" HDG	8
25		Flat Washer, 5/8" HDG	8
26		Lock Washer, 5/8" HDG	8
27		Guy Wire	100'
28		Shackle	3
29		Thimble	6
30		Cable Clip	12
31		Jaw/Eye Turnbuckle	3
32		Angle, Incline Brace, 80.41" Long	2
33		Angle, Horizontal Brace, 99.02" Long	1

THIS DOCUMENT CONTAINS PROPRIETARY DATA
NO DISCLOSURE,
REPRODUCTION, OR USE OF ANY PART THEREOF MAY
BE MADE EXCEPT BY WRITTEN PERMISSION.

ALL DIMENSIONS ARE IN INCHES U.O.S.
TOLERANCES UNLESS OTHERWISE SPECIFIED:
.X = ±.06 ANGLES ±2'
.XX = ±.03 FRACTIONS ±1/32
.XXX = ±.010

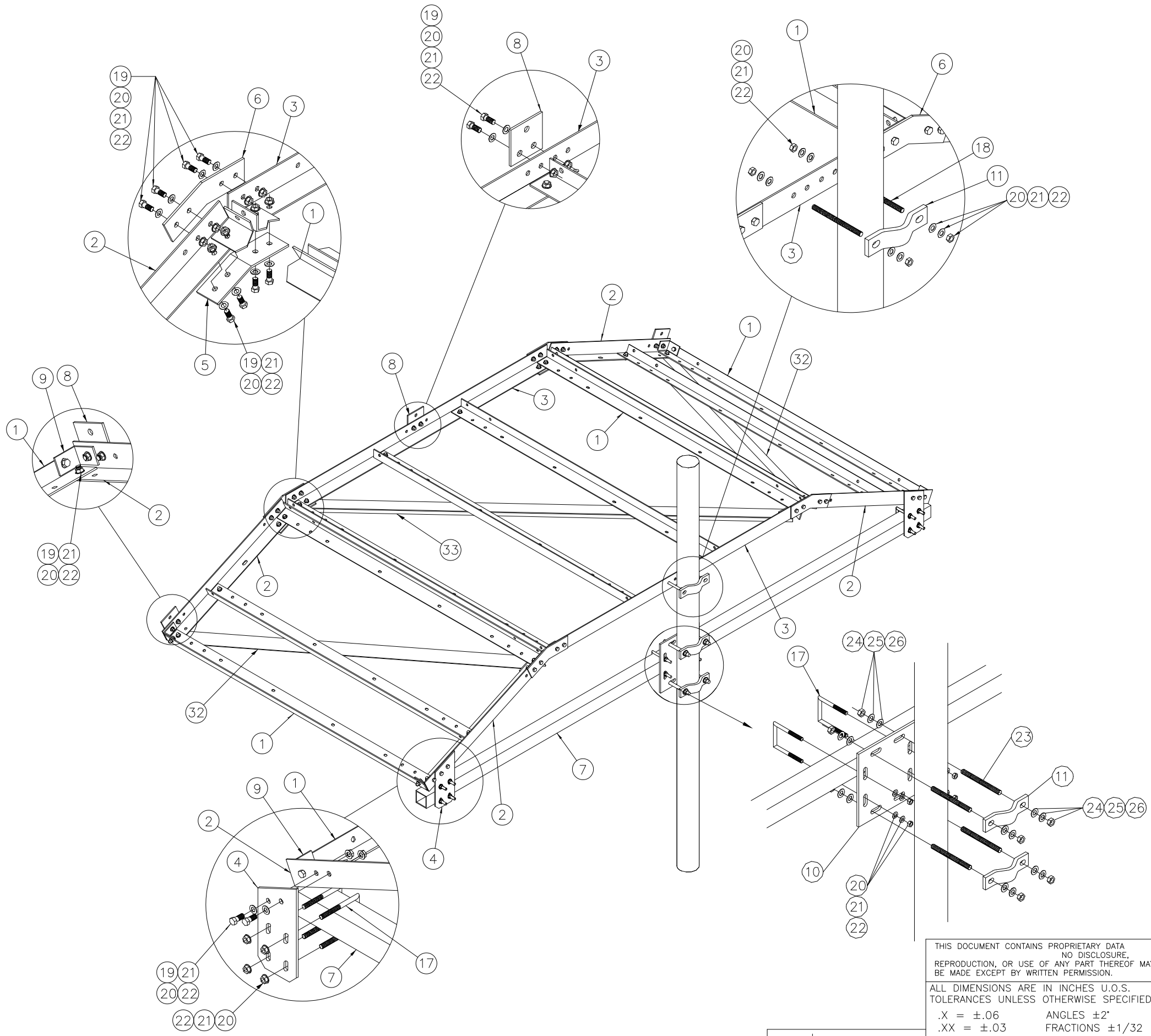
REMOVE BURRS AND BREAK EDGES .005

DO NOT SCALE THIS PRINT



DRAWN BY: ACG	DATE: 10/17/11	PART NUMBER: MISIOC
CHECKED BY: CC	SHEET: 1 OF 2	DESCRIPTION: 10' ICE SHIELD, CURVED DESIGN
REVISION: A	SCALE: NTS	Drawing Type: Assembly Drawing
	MATERIAL: A36, A500	
	FINISH: Galv A123	

REVISIONS				
REV.	ECO	DESCRIPTION	BY	DATE
A	MTW	INITIAL RELEASE	ACG	10/17/11



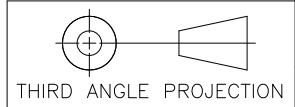
ITEM	PART NUMBER	DESCRIPTION	QTY
1		Angle, Gripstrut, 74" Long	10
2		Angle, Incline, 37.5" Long	4
3		Angle, Horizontal, 74.5" Long	2
4		Plate, Tube Mount, 7 x 14" Plate	2
5		Plate, Bottom Angle Connector, 1/4" Plate	4
6		Plate, Side Angle Connector, 1/4" Plate	4
7		Sq Tube, 120" Long	1
8		Plate-Guy Wire, 4.5" Plate	3
9		Corner Clip Angle, 3 x 3	4
10		Cross Pipe Plate	1
11		Half Clamp, Medium	3
12		Grating, 24" x 2" x 72" Long	5
*		Grating, 12" x 2" x 72" Long	2
13		J-BOLT-3/8"	27
14		3/8" HEX NUT	27
15		3/8" LOCK WASHER	27
16		3/8" FLAT WASHER	27
17		1/2" Sq U-Bolt for 3" Sq Tube, Grade 5	6
18		Threaded Rod, 1/2" x 8", HDG	2
19		Bolt, 1/2" x 1-1/2" (A325) HH HDG	38
20		Nut, Hex, 1/2" HDG	54
21		Flat Washer, 1/2" HDG	54
22		Lock Washer, 1/2" HDG	54
23		Threaded Rod, 5/8" x 8", HDG	4
24		Nut, Hex, 5/8" HDG	8
25		Flat Washer, 5/8" HDG	8
26		Lock Washer, 5/8" HDG	8
27		Guy Wire	100'
28		Shackle	3
29		Thimble	6
30		Cable Clip	12
31		Jaw/Eye Turnbuckle	3
32		Angle, Incline Brace, 80.41" Long	2
33		Angle, Horizontal Brace, 99.02" Long	1

THIS DOCUMENT CONTAINS PROPRIETARY DATA
NO DISCLOSURE,
REPRODUCTION, OR USE OF ANY PART THEREOF MAY
BE MADE EXCEPT BY WRITTEN PERMISSION.

ALL DIMENSIONS ARE IN INCHES U.O.S.
TOLERANCES UNLESS OTHERWISE SPECIFIED:
.X = ±.06 ANGLES ±2'
.XX = ±.03 FRACTIONS ±1/32
.XXX = ±.010

REMOVE BURRS AND BREAK EDGES .005

DO NOT SCALE THIS PRINT



DRAWN BY: ACG	DATE: 10/17/11	PART NUMBER: MISIOC
CHECKED BY: CC	SHEET: 2 OF 2	DESCRIPTION: 10' ICE SHIELD, CURVED DESIGN
REVISION: A	SCALE: NTS	Drawing Type: Assembly Drawing
	MATERIAL: A36, A500	
	FINISH: Galv A123	