

## Hanger Clamp for Coaxial Cable Applications

1475 IB C

### PRODUCT DESCRIPTION

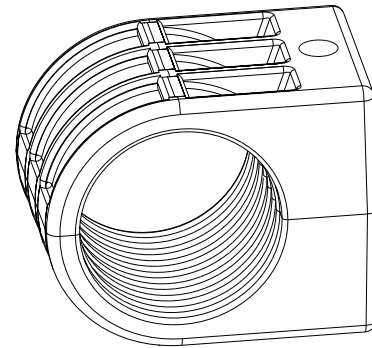
Hanger Clamps are designed specifically for wireless applications. Multiple runs of Coaxial Cable can be stacked in space saving configurations of one, two, or three. It is recommended that the Hanger Clamps be placed at one meter intervals. The Hanger Clamps are manufactured from a durable weather resistant Polycarbonate which exceeds the recommended temperature parameters for Coaxial Cable. A complete line of support accessories are available to provide versatility when securing cable in unique applications such as roof tops, water towers, and wood poles.

### NOTICE

Installation of this product should only be performed by trained, qualified and experienced personnel. Installation instructions for this product should be read thoroughly before installation is performed. The manufacturer and supplier of this product disclaims any liability or responsibility for the results of improper or unsafe installation practice.

### MATERIAL LIST

Hanger kits include 10 sets of Hanger Clamps.



## TYPICAL APPLICATIONS

