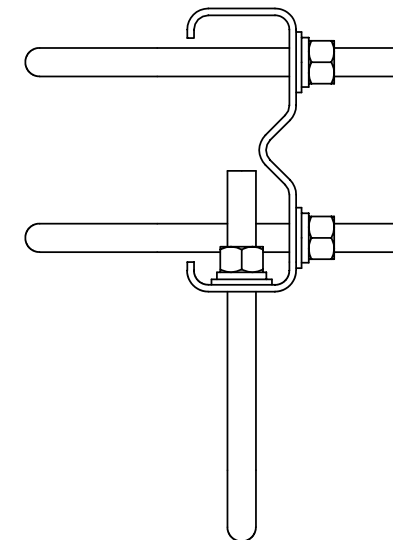
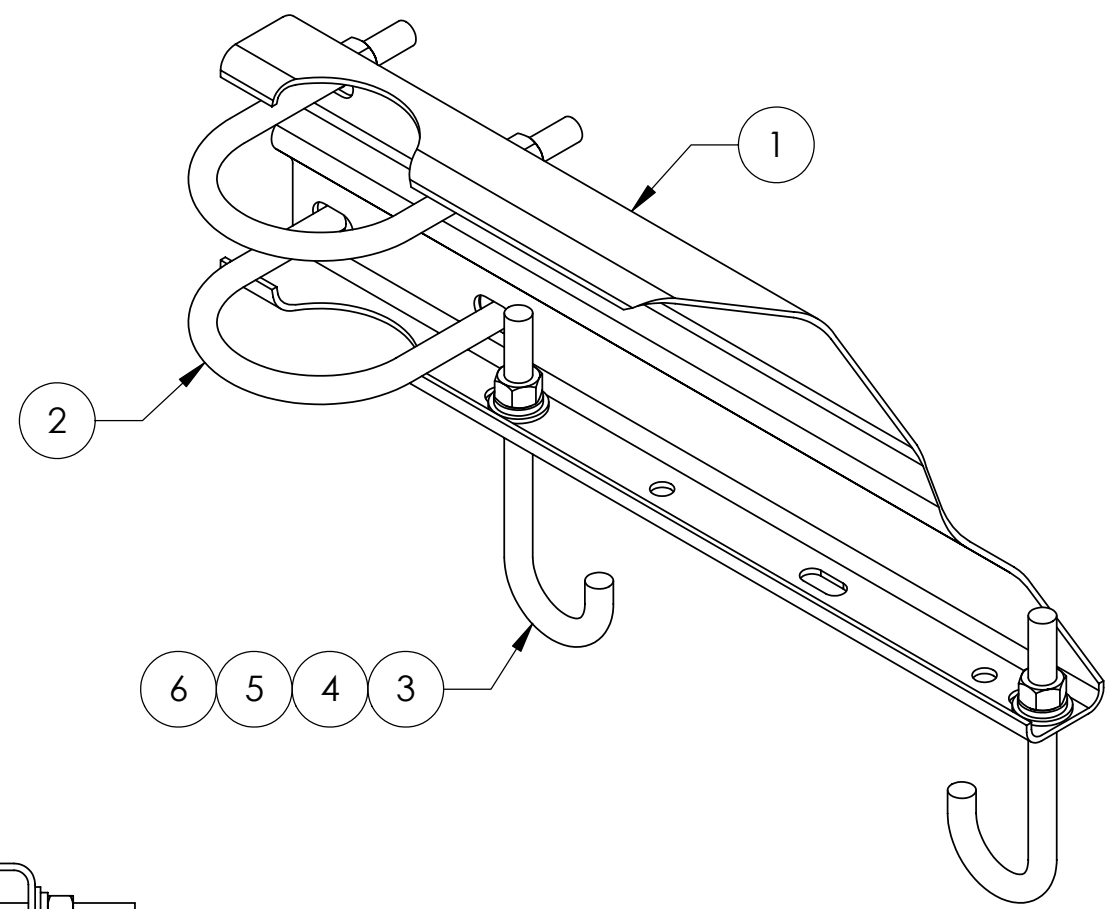
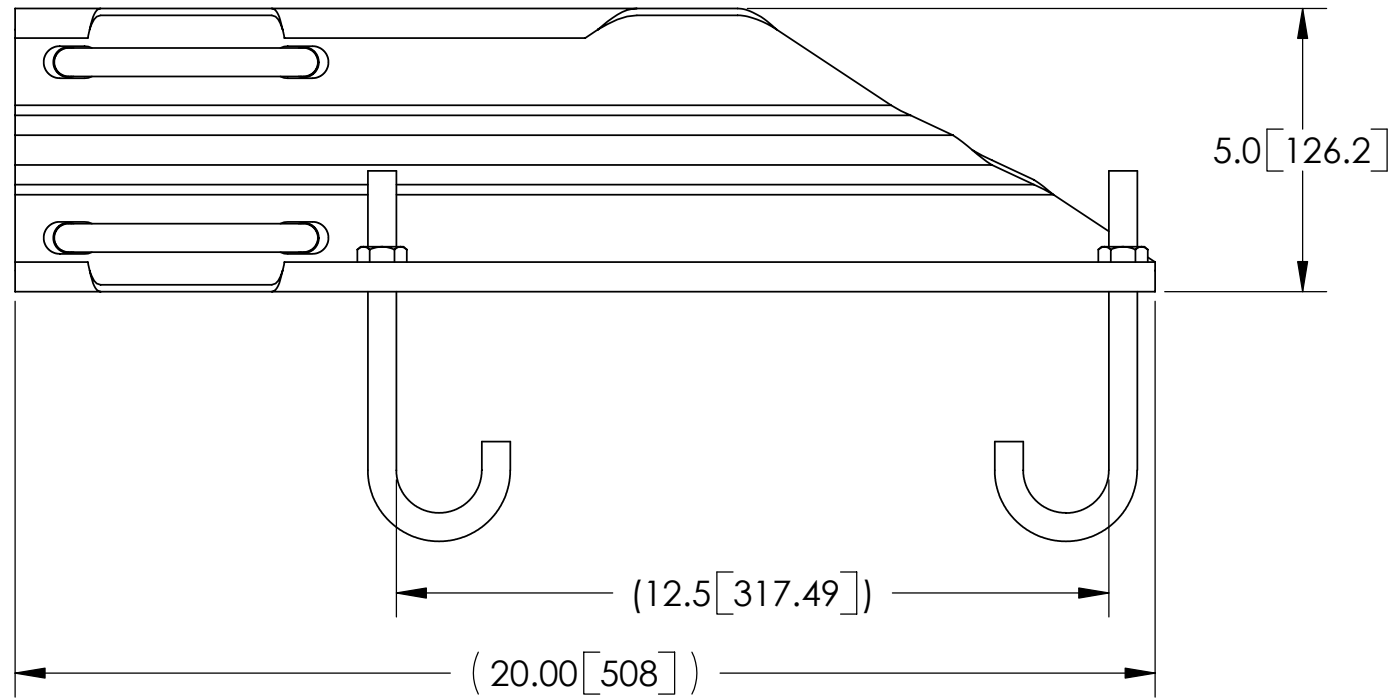
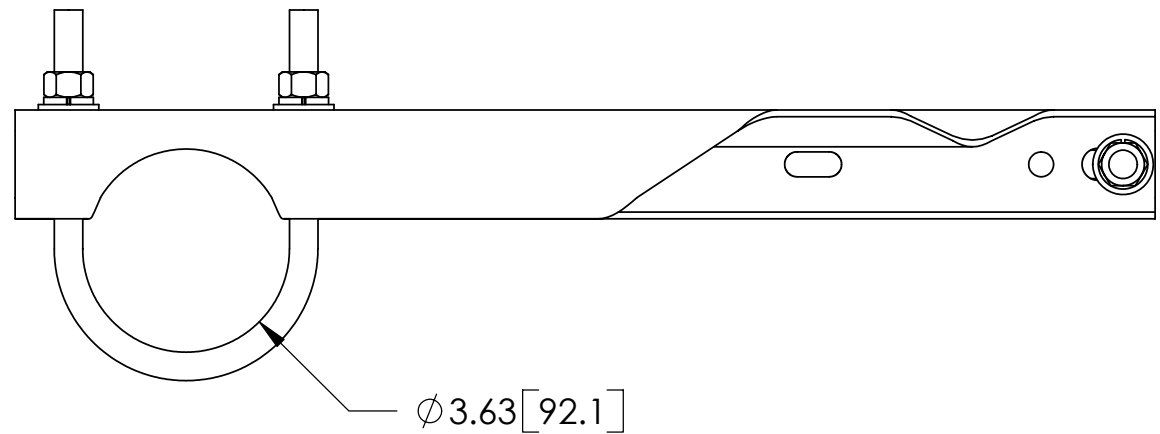


ITEM	PART NO.	DESCRIPTION	QTY.	WEIGHT
1	WBLB123.07	12" WAVEGUIDE BRIDGE SUPPORT BRACKET	1	4.71 LBS
2	GUB4356	1/2" X 3-5/8" X 6" GALV U-BOLT KIT	2	0.83 LBS
3	WJB6	1/2" J-BOLT	2	0.50 LBS
4	GWF04	1/2" GALV FLAT WASHER	2	0.01 LBS
5	GWL04	1/2" GALV LOCK WASHER	2	0.00 LBS
6	GN04	1/2" GALV HEX NUT	2	0.01 LBS

REVISIONS				
REV.	ZONE	DESCRIPTION	BY	DATE
D		NEW DESIGN	DI	03/08/05
E		REPLACE WBLB12306 WITH WBLB12307	ACG	08/28/07



NOTES:
1. ALL METRIC DIMENSIONS ARE IN BRACKETS.

These drawings and specifications are proprietary property and may be used only for the specific purpose authorized in writing. ALL DIMENSIONS ARE IN INCHES U.O.S. TOLERANCES UNLESS OTHERWISE SPECIFIED: .X = ± .06 ANGLES ±2' .XX = ± .03 FRACTIONS ±1/32 .XXX = ± .010 REMOVE BURRS AND BREAK EDGES .005 DO NOT SCALE THIS PRINT	DRAWN BY: DI	SHEET: 1 of 1	PART NUMBER: WBLB123
	CHECKED BY: TP	SCALE: NTS	DESCRIPTION: 12" WAVEGUIDE BRIDGE SUPPORT BRACKET KIT
	DATE: 3/8/05	MATERIAL: A36	DRAWING TYPE: ASSEMBLY DRAWING
	REVISION: E	FINISH: GALV A123	WEIGHT: 7.81 LBS